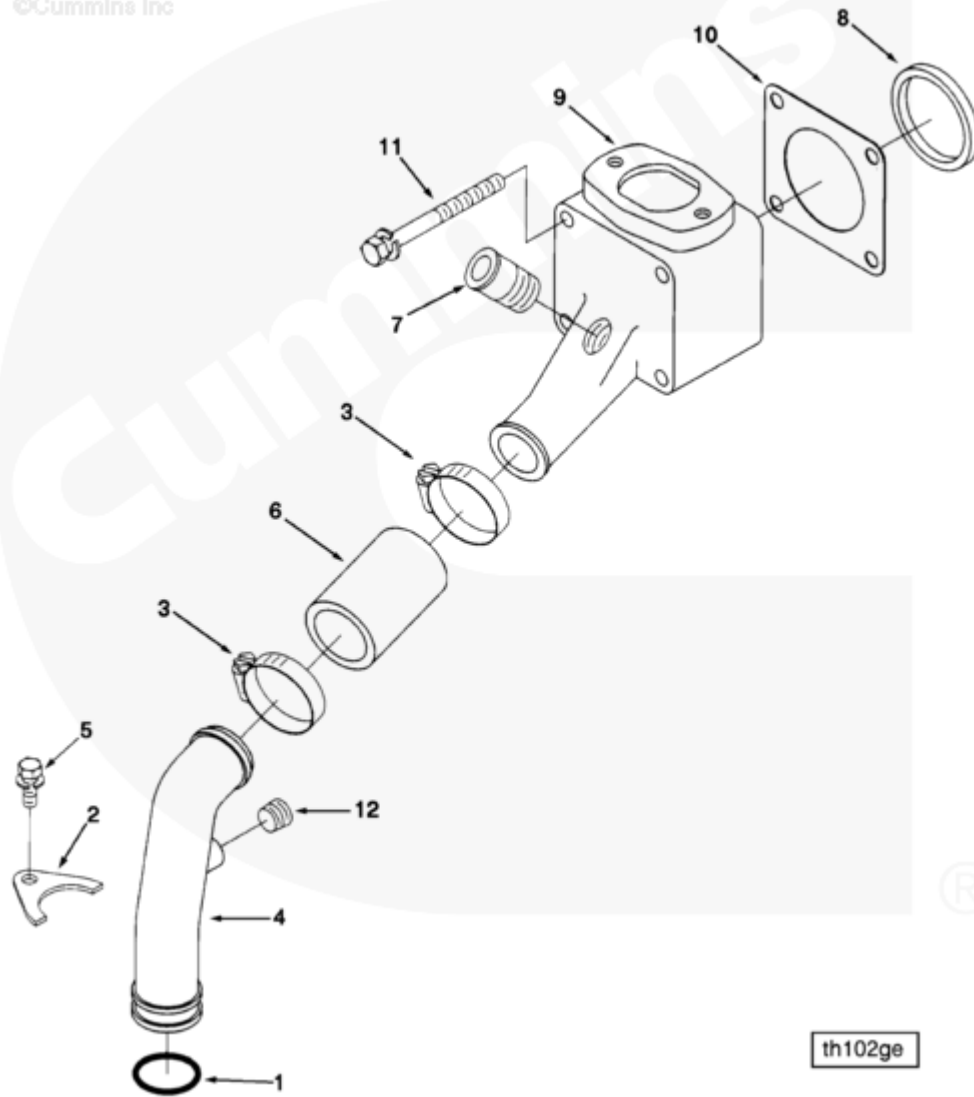




Parts Catalog - Option Detail

Electronic Parts Catalog - Option Detail				
Option	Group	Graphic	Film Card	Date
TH1033	08.07	th102ge	F	15-FEB-94
Engines	NH/NT 855, NT495, NT743, NTA855 N106			

©Cummins Inc



th102ge

[SMALL](#) | [MEDIUM](#) | [LARGE](#)

Cart	Ref No	Part Number	Part Description	Required	Remarks
<input type="button" value="View My Cart"/>					
		TH1033	Thermostat Housing		
					Thermostat Housing

					Thermostat housing with
					provision for top mounted
					water outlet connection.
<input type="checkbox"/>	1	43463 A	O-Ring Seal	1	
<input type="checkbox"/>	2	214617	Tube Clamp	1	
<input type="checkbox"/>	3	3008690	Hose Clamp	2	1 3/4 - 2 1/4 in.
<input type="checkbox"/>	4	3018098	Water Bypass Tube	1	
<input type="checkbox"/>	5	3022589	Captive Washer Cap Screw	1	5/16 - 18 X 5/8 in.
<input type="checkbox"/>	6	3071160	Plain Hose	1	
<input type="checkbox"/>	7	S 932 B	Plain Hose Coupling	1	
<input type="checkbox"/>	8	186780	Thermostat Seal	1	
<input type="checkbox"/>	9	3017748	Thermostat Housing	1	
<input type="checkbox"/>	10	208128	Thermostat Housing Gasket	1	
<input type="checkbox"/>	11	3010597	Captive Washer Cap Screw	2	3/8 - 16 X 3 3/4 in.
<input type="checkbox"/>	12	3013786	Pipe Plug	1	3/8 NPT.